

PRODUCT INFORMATION PACKET

marathon[®]
Motors

Model No: 256TTFCA6092
Catalog No: GT3220
10,1200,TEFC,256JM,3/60/575
JM



Regal and Marathon are trademarks of Regal Beloit Corporation or one of its affiliated companies.
©2018 Regal Beloit Corporation, All Rights Reserved. MC017097E

REGAL[®]



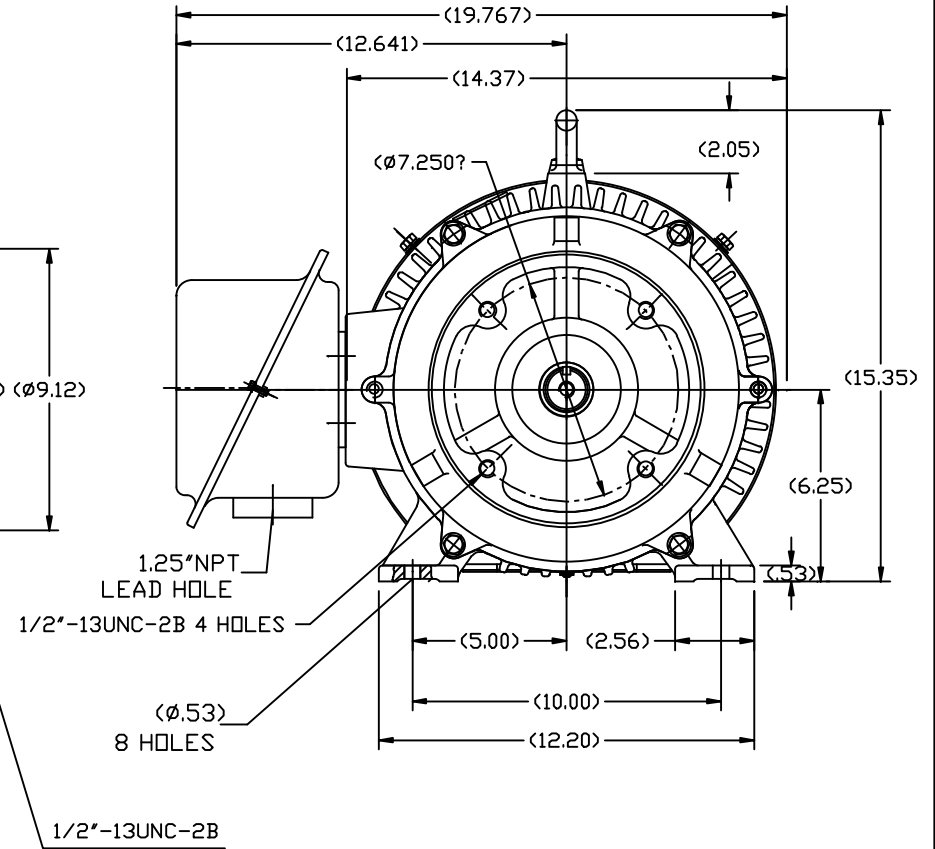
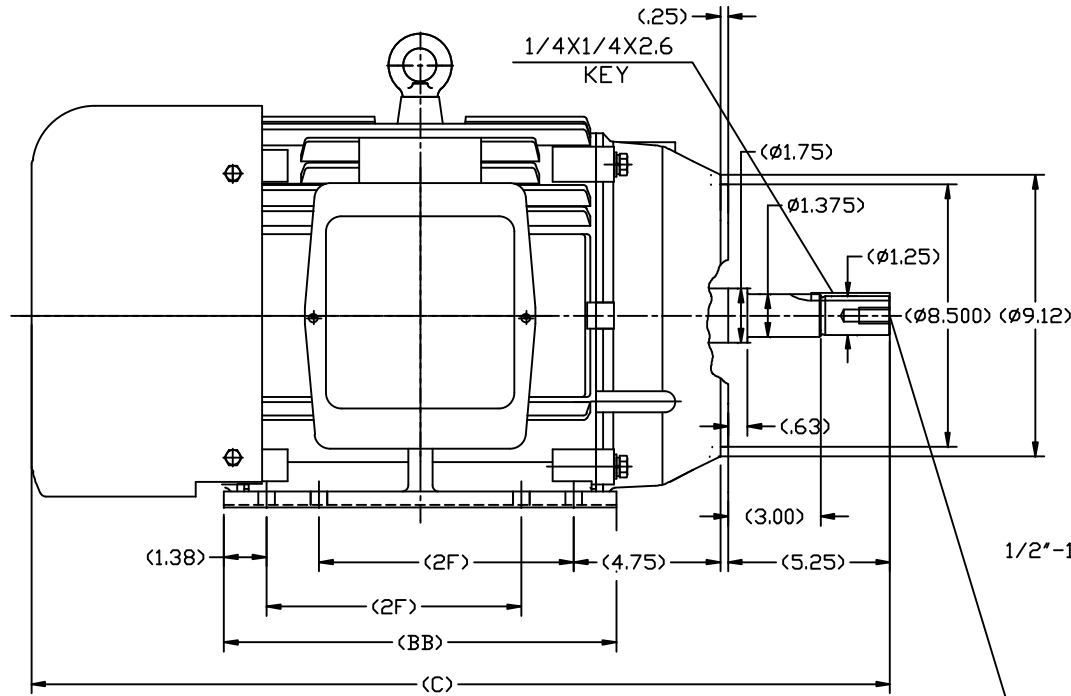
Nameplate Specifications

| | | | |
|----------------------------|------------------------------------|------------------------|-------------------|
| Output HP | 10 Hp | Output KW | 7.5 kW |
| Frequency | 60 Hz | Voltage | 575 V |
| Current | 11.2 A | Speed | 1180 rpm |
| Service Factor | 1.15 | Phase | 3 |
| Efficiency | 91 % | Duty | Continuous |
| Insulation Class | F | Design Code | B |
| KVA Code | G | Frame | 256JMV |
| Enclosure | Totally Enclosed Fan Cooled | Overload Protector | No |
| Ambient Temperature | 40 °C | Drive End Bearing Size | 6309 |
| Opp Drive End Bearing Size | 6209 | UL | Recognized |
| CSA | Y | CE | Y |
| IP Code | 43 | | |

Technical Specifications

| | | | |
|-------------------|-------------------------------------|-----------------------|---------------------------------|
| Electrical Type | Squirrel Cage Inverter Rated | Starting Method | Line Or Inverter |
| Poles | 6 | Rotation | Reversible |
| Mounting | Rigid base | Motor Orientation | Horizontal Or Shaft Down |
| Drive End Bearing | Ball | Opp Drive End Bearing | Ball |
| Frame Material | Cast Iron | Shaft Type | JM |
| Overall Length | 27.8 in | Shaft Diameter | 1.250 in |
| Shaft Extension | 5.25 in | Assembly/Box Mounting | F1/F2 Capable |
| Outline Drawing | SS620564 | Connection Diagram | EE7300 |

This is an uncontrolled document once printed or downloaded and is subject to change without notice. Date Created: 06/29/2018



| | | | |
|-------|-------|-------|-------|
| 254 | 26.60 | 12.80 | 8.25 |
| 256 | 27.80 | 13.98 | 10.00 |
| FRAME | C | BB | 2F |

| | | TOLERANCES UNLESS SPECIFIED | | REGAL-BELOIT CORPORATION | | DRAWN LSJ 05-16-2012 |
|--|----------|-----------------------------|--------|-----------------------------|----------|----------------------|
| | | DEC. | INCHES | | | CHK |
| | | .X | ±.1 | TITLE | | APPD |
| | | .XX | ±.03 | 254/256TC FR-TEFC-CAST IRON | | SCALE 1=4 |
| | | .XXX | ±.005 | MAT'L. | | REF |
| | | .XXXX | ±.0005 | FINISH | | FMF HWADA |
| NO. | REVISION | BY & DATE | CHK | ANG | ±1/2 | PREV |
| THIS DRAWING IN DESIGN AND DETAIL IS OUR PROPERTY AND MUST NOT BE USED EXCEPT IN CONNECTION WITH OUR WORK ALL RIGHTS OF DESIGN AND INVENTION ARE RESERVED THIS IS AN ELECTRONICALLY GENERATED DOCUMENT - DO NOT SCALE THIS PRINT | | | | RFP | CAD FILE | SS620564 |
| | | | | DIST | SIZE | DRAWING NO. |
| | | | | | B | SS620564 |
| | | | | | | REV. |

**THREE PHASE - SINGLE VOLTAGE
MOTOR - CONDUIT BOX @ 'A'**

**TO REVERSE ROTATION:
INTERCHANGE ANY TWO
LINE LEAD CONNECTIONS.**

TERMINAL BLOCK WHEN SPECIFIED



VIEW OF TERMINAL END

**IF MOTOR HAS
6 LEADS**

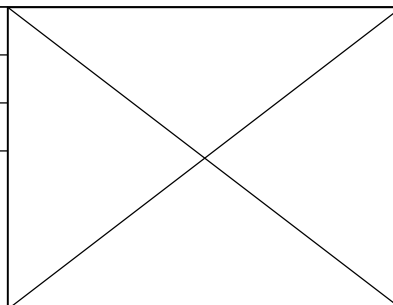


A-9806 DECAL

**OPTIONAL CORD
CONNECTION**

- L1 WHITE
- L2 RED
- L3 BLACK

| | | |
|---|---------------------------|---------------------------|
| DRAWING REVISION AB | REVISION BY JJB | DATE 06-27-2017 |
| ECO ECO-0125361 | APPROVED BY TB | DATE 06-27-2017 |
| ECO DESCRIPTION UPDATED TO CURRENT STANDARDS | | |
| <small>COPYRIGHT REGAL BELOIT AMERICA, INC. ALL RIGHTS RESERVED. PROPRIETARY AND CONFIDENTIAL INFORMATION - THIS DOCUMENT IS THE PROPERTY OF REGAL BELOIT AMERICA, INC. ("OWNER") AND CONTAINS OWNER'S PROPRIETARY INFORMATION. ANY PERSON, CORPORATION OR OTHER FIRM RECEIVING IT IS DEEMED, BY RECEIVING IT, TO AGREE THAT IT, AND/OR ANY PART OF IT, SHALL NOT BE DISCLOSED TO ANY PERSON, CORPORATION OR OTHER ENTITY, DUPLICATED, AND/OR USED, EXCEPT AS EXPRESSLY APPROVED IN WRITING IN ADVANCE BY OWNER. THIS DOCUMENT SHALL BE RETURNED TO OWNER UPON REQUEST. IT MAY BE SUBJECT TO CERTAIN RESTRICTIONS UNDER APPLICABLE EXPORT CONTROL LAWS AND REGULATIONS.</small> | | |



| |
|---------------------------|
| DRAWN BY DA |
| DATE 03-26-1993 |
| APPROVED BY TB |
| DATE 03-26-1993 |
| REFERENCE |
| THIRD ANGLE PROJECTION |

| | | |
|-----------------------------------|---------------------------------|--|
| Regal Beloit America, Inc. | | |
| | | DESCRIPTION CONNECTION DIAGRAM EXTERNAL - SINGLE VOLTAGE - 3Ø MOTOR |
| MATERIAL | PROCESS/FINISH | |
| SIZE A | DRAWING NUMBER EE7300 | SHEET 1 OF 1 |

CERTIFICATION DATA SHEET

Model#: 256TTFCA6092 AA **WINDING#:** CHT25660001 NONE 3
CONN. DIAGRAM: EE7300 **ASSEMBLY:** F1/F2 CAPABLE
OUTLINE: SS620564

TYPICAL MOTOR PERFORMANCE DATA

| HP | KW | SYNC. RPM | F.L. RPM | FRAME | ENCLOSURE | KVA CODE | DESIGN |
|----|------|-----------|----------|--------|-----------|----------|--------|
| 10 | 7.50 | 1200 | 1180 | 256JMV | TEFC | G | B |

| PH | Hz | VOLTS | FL AMPS | START TYPE | DUTY | INSL | S.F | AMB°C | ELEVATION |
|----|----|-------|---------|------------------|------------|------|------|-------|-----------|
| 3 | 60 | 575 | 11.2 | LINE OR INVERTER | CONTINUOUS | F7 | 1.15 | 40 | 3300 |

| FULL LOAD EFF: 91 | 3/4 LOAD EFF: 91 | 1/2 LOAD EFF: 90.2 | GTD. EFF | ELEC. TYPE | NO LOAD AMPS |
|-------------------|------------------|--------------------|----------|-------------------|--------------|
| FULL LOAD PF: 74 | 3/4 LOAD PF: 68 | 1/2 LOAD PF: 56 | 90.2 | SQ CAGE INV RATED | 5.6 |

| F.L. TORQUE | LOCKED ROTOR AMPS | L.R. TORQUE | B.D. TORQUE | F.L. RISE°C |
|-------------|-------------------|--------------|---------------|-------------|
| 44.5 LB-FT | 60 | 69 LB-FT 155 | 130 LB-FT 292 | 45 |

| SOUND PRESSURE @ 3 FT. | SOUND POWER | ROTOR WK^2 | MAX. WK^2 | SAFE STALL TIME | STARTS /HOUR | APPROX. MOTOR WGT |
|------------------------|-------------|------------|-------------|-----------------|--------------|-------------------|
| 56 dBA | 66 dBA | 3 LB-FT^2 | 200 LB-FT^2 | 20 SEC. | 2 | 375 LBS. |

***** SUPPLEMENTAL INFORMATION *****

| DE BRACKET TYPE | ODE BRACKET TYPE | MOUNT TYPE | ORIENTATION | SEVERE DUTY | HAZARDOUS LOCATION | DRIP COVER | SCREENS | PAINT |
|-----------------|------------------|------------|--------------------------|-------------|--------------------|------------|---------|---------------|
| C-FACE | STANDARD | RIGID | HORIZONTAL OR SHAFT DOWN | FALSE | NONE | FALSE | NONE | BLUE (ENAMEL) |

| BEARINGS | | GREASE | SHAFT TYPE | SPECIAL DE | SPECIAL ODE | SHAFT MATERIAL | FRAME MATERIAL |
|----------|------|------------|------------|------------|-------------|-------------------------|----------------|
| DE | OPE | POLYREX EM | JM | NONE | NONE | 1045 HOT ROLLED (C-204) | CAST IRON |
| BALL | BALL | | | | | | |
| 6309 | 6209 | | | | | | |

| THERMO-PROTECTORS | | | | THERMISTORS | CONTROL | SPACE /n HEATERS |
|-------------------|------------|----------|----------|-------------|---------|------------------|
| THERMOSTATS | PROTECTORS | WDG RTDs | BRG RTDs | NONE | FALSE | NONE VOLTS |
| NONE | NOT | NONE | NONE | | | |

If Inverter equals NONE, contact factory for further information

*
N
O
T
E
S
*

| |
|--------------------------------|
| INVERTER TORQUE: VARIABLE 10:1 |
| INV. HP SPEED RANGE: NONE |
| ENCODER: NONE |
| NONE NONE |
| NONE NONE PPR |
| BRAKE: NONE NONE |
| NONE P/N NONE |
| NONE NONE |
| NONE FT-LB NONE V NONE Hz |

DATE: 06/23/2017 07:00:19 AM
 FORM 3531 REV.3 02/07/99
 ** Subject to change without notice.

